

73085T-B9 Deck-Mount Diverter And Handshower

BEFORE YOU BEGIN

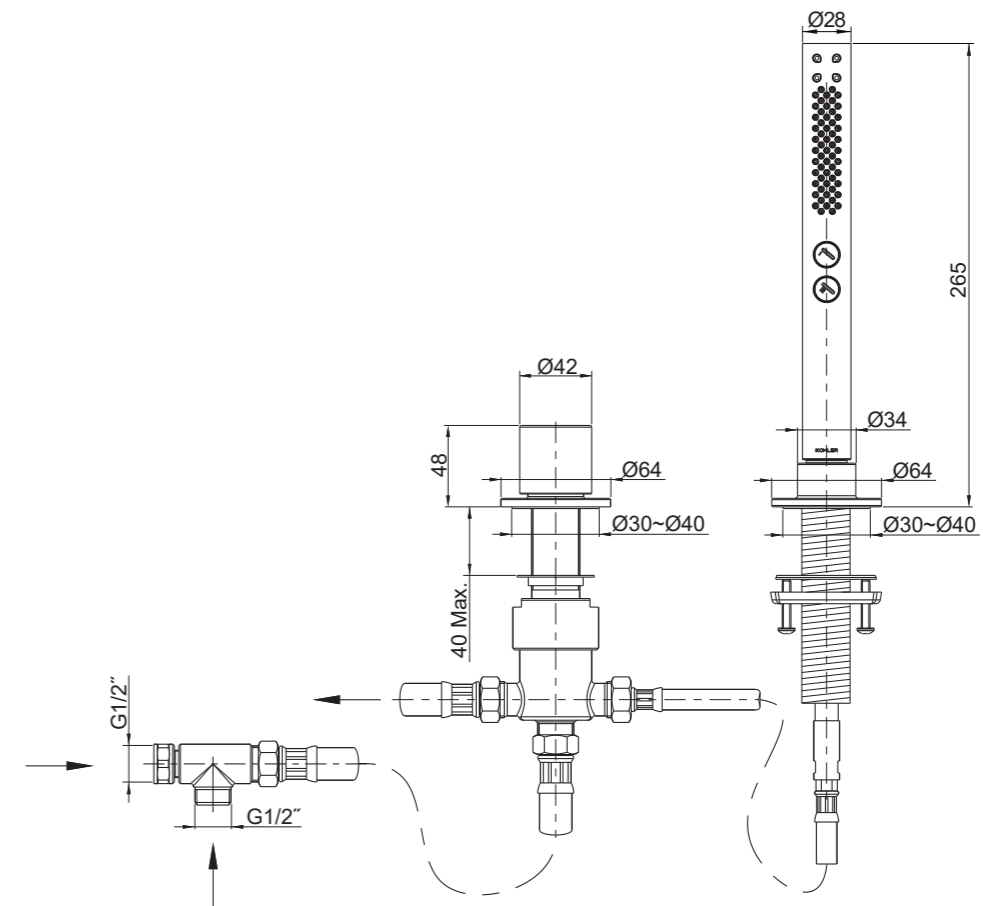
All information is based on the latest product information available at the time of publication. Kohler Co. reserves the right to make changes in product characteristics, packaging, or availability at any time without notice.

Please leave these instructions for the consumer. They contain important information.

NOTES:

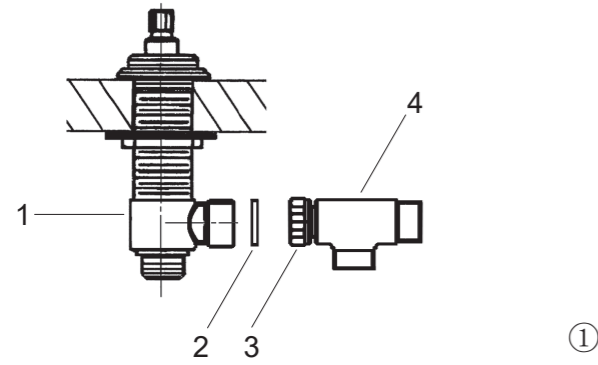
1. Shut off the main water supply.
2. Carefully read entire instructions before beginning installation.
3. Observe local plumbing codes.
4. This faucet has switching function only. It must work with a bath faucet (purchased separately) that has both on/off and hot/cold mixing control.
5. The highest working pressure for handshower is 0.5MPa(5bar). If it exceeds 0.5MPa(5bar), a pressure reducer is needed. The highest water and environment temperature is 60°C. Please the keep handshower, showerhead and shower arm away from heater, or it may become damaged and cause injury to the user.

ROUGH-IN DIMENSIONS



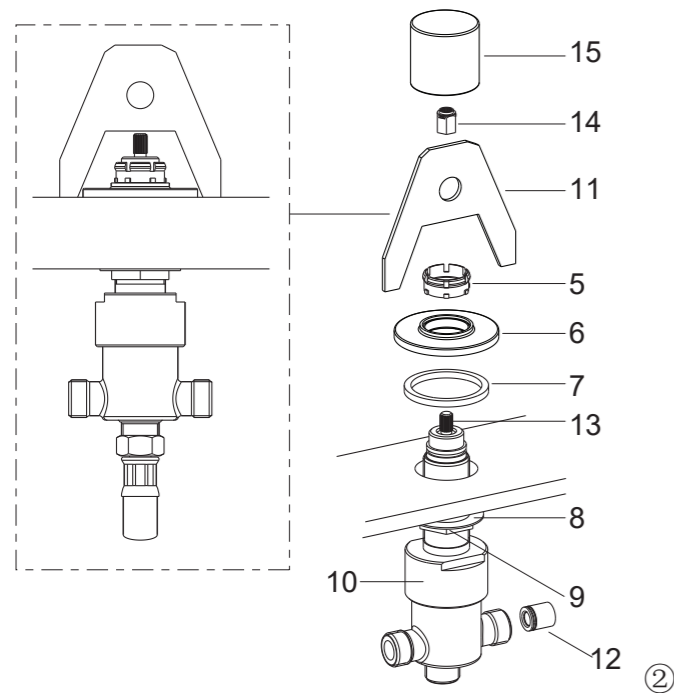
73085T-B9

INSTALLATION



How to Install the Tee

Put the washer(2) into the nut(3) of the tee(4). Then connect the tee to one side body(1) of the deck-mount bath faucet as the figure shown.



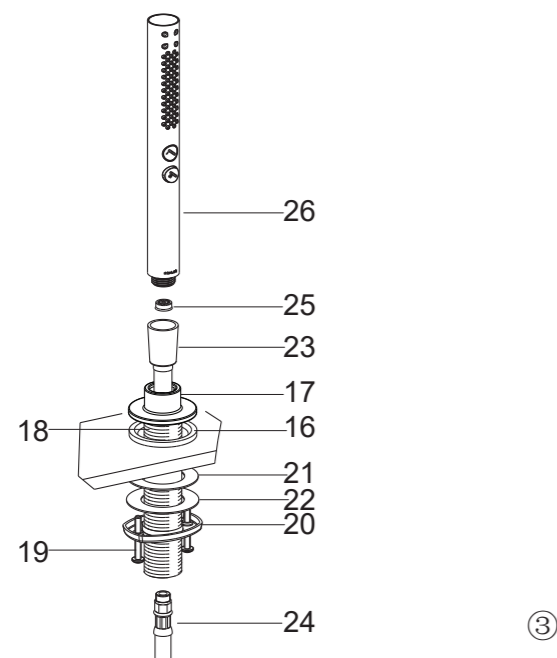
How to Install Diverter Body

Remove the parts from the diverter body(10) according to the following order: ratchet ring(5), escutcheon(6) and washer(7). Insert the diverter body with washer(8) and nut(9) through mounting hole from underside of the deck. Reinstall the parts according to the following order: washer(7), escutcheon(6) and ratchet ring(5).

Adjust the height of the diverter body by adjust carton(11). Tighten the nut(9) by wrench.

NOTE: The end of diverter with check valve(12) points to handshower.

Install the adapter(14) to the valve stem(13). Press the handle(15) to the ratchet ring.



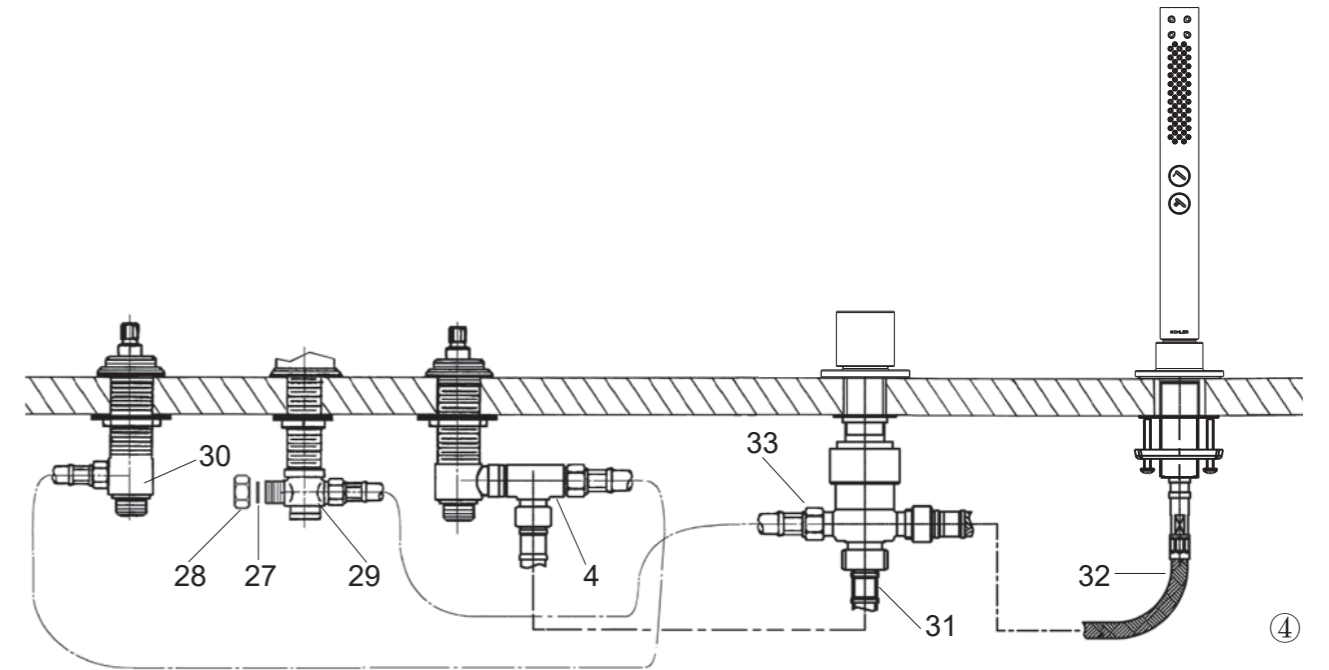
How to Install the Handshower

Put the rubber washer(16) into the bottom groove of the escutcheon(17). Tighten the escutcheon with washer on the shank(18), and then insert the shank into the mounting hole.

Pre-install the screws(19) into the screw holes of the threaded ring(20). From underside, install the fiber washer(21), steel washer(22) and threaded ring to the shank. Tighten the screws.

Slide the hose(23, length: 2m) through the escutcheon(17), and attach to the hose(24, length: 0.6m).

If needed, install the regulator(25) into the handshower(26). Connect the hose(23) and handshower.



Put the fiber washer(27) into the plug(28), Tighten the plug to one of the ports of the center tee(29) for the spout.

Connect one side body(30) and the tee(4) on another side body with washers and one of the hoses provided with the deck-mount faucet (Remove another hose and put it away).

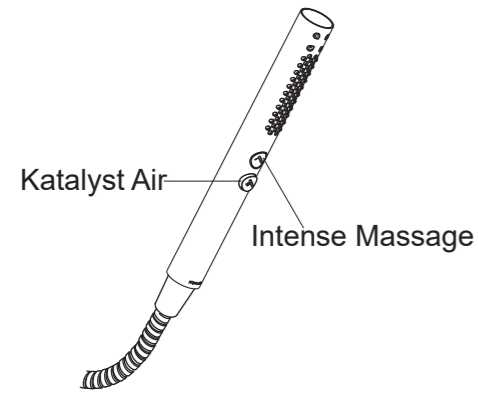
Connect the tee(4) and bottom port of the diverter with hose(31, length:1m) and washers. Tighten the connection hose(32) with washer to the end(with note label) of the diverter.

Connect the center tee(29) and another end of the diverter with hose(33, length:1m) and washers.

To ensure the water flows smoothly and the handshower can be drawn out easily, the hose should avoid kinking, twisting. To ease installation, you may back off center tee of the spout up to 180 degree. **NOTE:** Hoses should be only used where indicated.

HANDLE OPERATION

Turn diverter handle clockwise for bath spout, turn counter-clockwise for handshower, middle position for both.



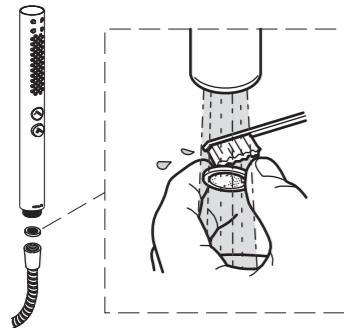
How to Operate the Handshower

Press the buttons of the handshower to change the water flow.



How to Maintain the Handshower

Any debris or mineral build-up may cause the flow stream to become distorted or reduce the flow rate. To remove the debris or mineral build-up, run water through the handshower, firmly press or rub your finger back and forth across the rubber nozzles.



Remove and clean the screen washer.

INSTALLATION CHECKOUT

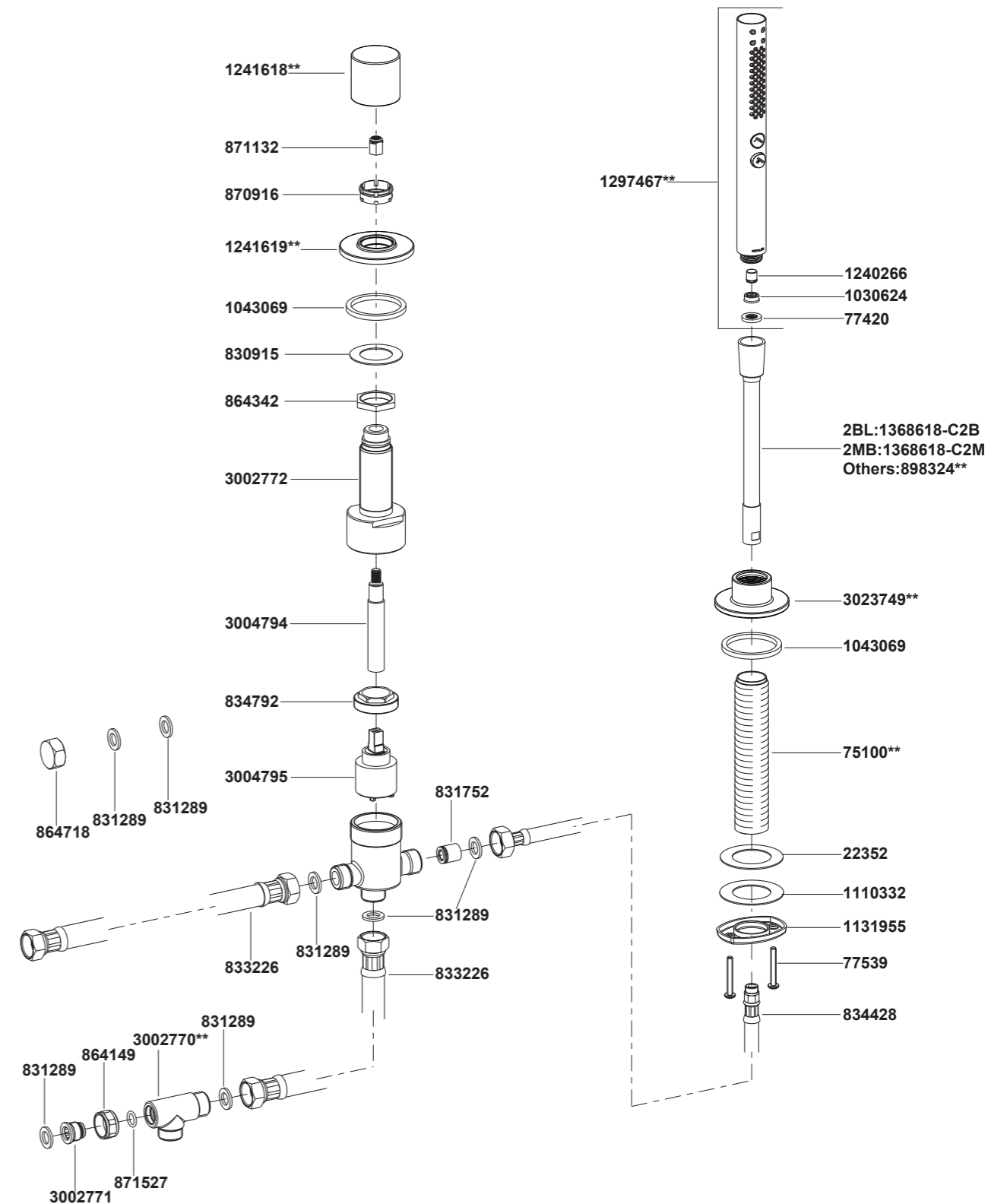
Ensure all coupling nuts are tight. Turn on main water supply and check for leaks. Repair as needed.

CLEANING INSTRUCTIONS

All Finishes: Clean the finish with mild soap and warm water. Wipe entire surface completely dry with clean soft cloth. Many cleaners may contain chemicals, such as ammonia, chlorine, toilet cleaner etc. which could adversely affect the finish and are not recommended for cleaning.

Do not use abrasive cleaners or solvents on Kohler faucets and fittings.

73085T-B9 Deck-Mount Diverter And Handshower



**Color code must be specified when ordering.